

INSTALLATION MANUAL

2-SPEED WINCH

Level of Difficulty

Easy

Installation difficulty levels are based on time and effort involved and may vary depending on the installer level of expertise, condition of the vehicle and proper tools and equipment.

Load Capacity

| | |
|-------|------------------------|
| 29520 | 2,000 lbs. (907,2 kg) |
| 29526 | 2,600 lbs. (1179,3 kg) |
| 29532 | 3,200 lbs. (1451,5 kg) |
| 29538 | 3,800 lbs. (1723,7 kg) |

Tools Required

| | |
|---------------|----------------|
| Ratchet | Socket, 9/16" |
| Wrench, 9/16" | Socket, 3/4" |
| Wrench, 10mm | Socket, 15/16" |
| Socket, 10mm | -- |

Product Registration and Warranty

CURT stands behind our products with industry-leading warranties. To get copies of the product warranties, register your purchase or provide feedback, visit: warranty.curtgroup.com/surveys

NOTICE

Visit www.curtmfg.com for a full-color copy of this instruction manual, as well as helpful videos, guides and much more!

Before you begin installation, read all instructions thoroughly.

Proper tools will improve the quality of installation and reduce the time required.

Periodic inspection of your product should be performed to ensure all hardware and / or components remain secure.

⚠ WARNING

Do not use any attachments to extend the length of the winch strap.

Always leave at least five wraps of cable on the drum. Failure to do so may break cable connection to the drum and could result in serious injury.

Make sure the winch base is properly bolted to a structure or vehicle that can hold both the winch and winch load. Failure to properly bolt down the winch can result in personal injury and / or property damage.

After moving an object with the winch, secure the object.

Do not rely on the winch to hold an object for an extended period of time.

Do not apply a load to the winch when the winch strap is fully extended.

The strap anchor on the winch is not capable of holding the maximum rated load capacity.

When loading a boat onto a trailer without keel or side hull rollers, make sure the trailer is submerged in the water when the boat is loaded by the winch. Attempting to drag the boat onto the trailer while on land can cause winch failure and possibly personal injury and property damage.

Stand back and stay out of the direct line that the winch strap is pulling.

In the event the winch strap slips or breaks, it will 'whip-lash' along this line.

Keep work area clean and dry; damp, cluttered and wet areas invite injuries.

Keep children away from the work area and do not allow them to handle the winch.

Use eye and hand protection. Wear impact safety glasses and heavy duty work gloves when using the winch.

Do not wear loose clothing or jewelry that can be caught in moving parts. Wear protective hair covering to prevent long hair from becoming caught. If wearing a long sleeve shirt, roll the sleeves up to the elbows. Do not overreach the winch. Keep proper footing and balance at all times to prevent tripping, falling, back injury, etc.

Check for damaged parts and any other conditions that may affect operation of this winch. Carefully check that it will operate properly and perform its intended function. Replace or repair damaged or worn parts immediately.

Check the strap before each use for signs of wear. If strap show signs of wear, replace immediately.

Always maintain a firm grip on the winch handle and do not release the handle until the ratchet pawl is properly engaged. Release handle slowly to be sure that ratchet lever is fully supporting the load.

Never use a hand winch for lifting equipment or humans.

Product Photo



INSTALLATION

Handle Installation

Prior to operating the winch, secure the handle to the input shaft with the provided lock nut.

Bolt-On Handle (29520 & 29526)



Quick Attach Handle (29532 & 29538)



Winch Installation

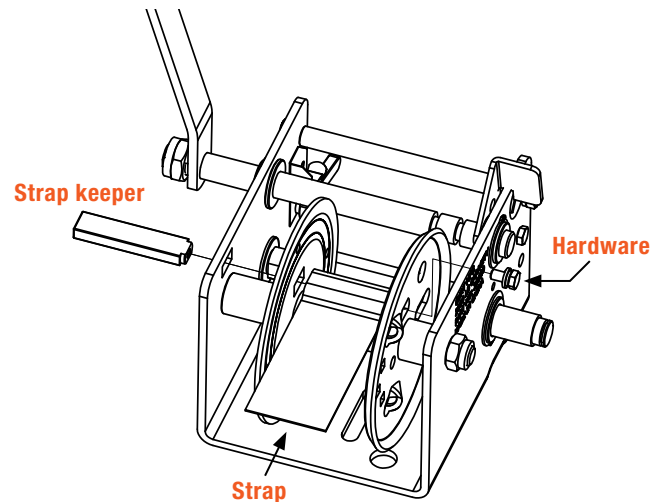
To secure the winch to the mounting location, you will need three grade 5, 3/8" diameter bolts, three lock washers, six flat washers and three nuts (hardware not included).

Place the lock washer, then a flat washer on the bolt. Place the bolt through the mounting hole on the winch. Add one more flat washer and secure with a nut.

Strap Installation

To secure the winch strap, place the provided strap bolt through the sewn loop in the winch strap. Secure with the strap bolt nut.

Note: The installed winch strap should be rated at 1.5 times the winch's rated capacity. The hook on the strap should be rated at 1.5 times the strap's rated capacity.



Cable Installation (29538 only)

To secure the winch cable, insert the end of the steel cable through the drum flange hole from the inside of the drum to the outside of the drum.

Wrap the cable around the drum shaft once, feeding the cable under itself. Secure the cable to the drum by feeding the end of the cable through the cable anchor. The end of the cable should be sticking through the anchor a minimum of 1 inch. Torque the cable anchor nylon nuts to 2 ft-lbs.



OPERATION

Step 1

Verify the winch is properly secured to the winch mount and the winch handle is properly secured to the winch input shaft.

Step 2 - Operating the Winch

Changing gears: Push the gear lever to unlock the gear shaft. Slide the gear shaft into desired position.

1st position is the high gear, 2nd position is neutral and 3rd position is the low gear. Photo shown below is in 3rd position - low gear.



Step 2 - Operating the Winch

High gear / Line In:

Flip the ratchet pawl to the upper position and rotate the handle clockwise to wind strap in.

High gear / Line out:

Flip the ratchet pawl to the lower position and rotate the handle counter-clockwise to wind strap out.

Free Wheel:

With the gear shaft in neutral, hold the ratchet pawl horizontal to allow the drum to be free moving. Only do this when the strapped is unhooked and free of any load.

Always verify the strap / cable hook is properly engaged to load prior operating the winch.

⚠ WARNING

If you do not hear a loud clicking noise, the ratchet is not securing the load. Do not let go of the handle until the load has been secured.

⚠ WARNING

Never let go of the handle prior engaging the ratchet lever as this may cause the handle to spin dangerously.

Mounting the Winch to a Winch Stand

The winch stand must be strong enough to support at least 5 times the rated capacity of the winch. The mounting surface must be equal to or larger than the footprint of the winch frame.

Note: mounting hardware not supplied.

⚠ WARNING

Make sure the winch base is properly bolted to a structure (or vehicle) that can hold winch and winch load. Failure to bolt down the winch properly can result in personal injury and / or property damage.

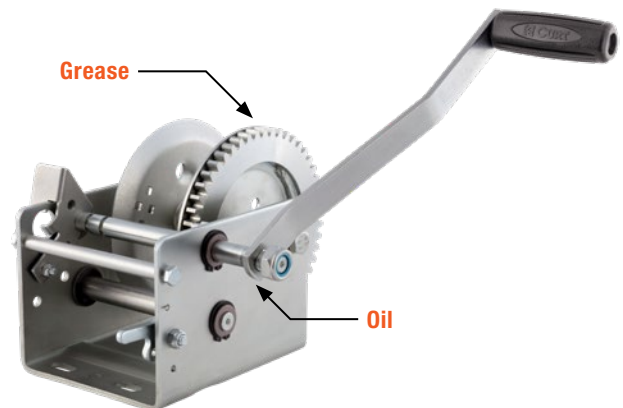
MAINTENANCE

Maintenance

Check strap and cable for wear.

Replace damaged strap/ cable immediately.

Apply oil to input shaft, bushings and drum hub and grease all gears regularly.



Mounting the Winch to a Winch Stand

The winch stand must be strong enough to support at least 5 times the rated capacity of the winch. The mounting surface must be equal to or larger than the footprint of the winch frame.

Note: mounting hardware not supplied.

⚠ WARNING

Make sure the winch base is properly bolted to a structure (or vehicle) that can hold winch and winch load. Failure to bolt down the winch properly can result in personal injury and / or property damage.